

# Dispensing Systems

Dispensers for  
Every Washing Area



# PRACTICAL DISPENSING SYSTEMS

## Effective Dispensing Systems for Every Application

Even the best products are ineffective if they are not applied in the right way. Dispensers are a critical part of every skin protection concept, whether the application of skin protection, skin cleansing, skin care products or disinfectants is important.

Peter Greven Physioderm (PGP) offers high-quality and efficient dispensing systems for industry, administration and public areas.

### Cost + Performance = Efficiency

A modern dispensing system has to meet the highest requirements in order to be able to prove itself in everyday practice. The dispenser has to function well and problem-free while offering the utmost in hygiene and safety under all conditions. The cost of the system is one of the most important factors. The dispenser must be suitable for the application where it is applied, which can only be determined by fully researching each situation and need. PGP offers the right solution for every application.

## Contents

### VARIOMAT

The Robust Classic

page 3 - 5

### NEPTUNE

The Attractive “Allrounder“

page 6 - 9

### EUROMAT

The Flexible Evergreen

page 10 - 11

### Contact

page 12

## Peter Greven Physioderm – Your Partner for Professional Skin Care

For almost 100 years, Peter Greven Physioderm (PGP) offers solutions for skin protection, skin cleansing, skin care and disinfection. The family-owned business, located in Euskirchen and run by the third generation, was founded in 1923 and combines successful experience that results in innovation. The four product lines Physioderm®, Greven, Lordin® and Myxal® are the basis of an integrated operational skin protection program. Our skin care consultants offer outstanding expertise and individual consultation – from a hazard analysis to a final skin protection plan. PGP offers skin care solutions for every need constantly and is well-known as an innovation leader in the area of occupational skin care in Germany.

## THE ROBUST CLASSIC

### Strong Performance for Many Users

In companies with a high number of employees, dispensers are often exposed to high strain. The VARIOMAT dispenser system is the ideal solution whenever strong and high-performance dispensers are needed. They are ideal for use in large and middle-sized companies in industries and crafts. In public washrooms, they excel because of their reliable functionality and their high profitability. VARIOMAT dispensers are available in lockable versions. As well as impact resistant versions made of metal.

VARIOMAT dispensers are virtually free of maintenance. They fit ou 1-L and 2-L-collapsible bottles. Therefore, they do not need to be refilled constantly - even in high usage areas. A striking advantage with regard to hygiene and product safety is the fact that a new valve is part of every bottle. With every change of the bottle, the valve is replaced automatically. Finally, the size of the dispensing can be easily adjusted.



### VARIOMAT at a Glance

- popular industrial dispensing system
- ideal for large and middle-sized companies
- stronger metal versions available
- available in a locking version
- high capacity: suitable for 1-L- and 2-L-collapsible bottles
- adjustable dispensing size
- dispenses all common products
- low cost: low-maintenance, no dispenser wear
- hygienic, closed system: no contact between dispenser and product
- collapsible bottle empties completely and reduces waste
- large sight window to easily see when the dispenser needs to be refilled
- large front panel allows the application of application labels



### Labeling of Dispensers

Dispenser systems should be labeled for easy identification by users and those who refill them. Doing so increases acceptance and minimizes the risk of product misuse. Peter Greven Physioderm (PGP) offers several identification labels for optimal dispenser labeling.



Skin Protection



Skin Cleansing



Skin Care



Disinfection



## VARIOMAT ECO

### Application Area:

Universal dispenser for all skin protection, skin cleansing and skin care products as well as for disinfectants in PGP's 1.000- or 2.000-ml-collapsible-bottles.

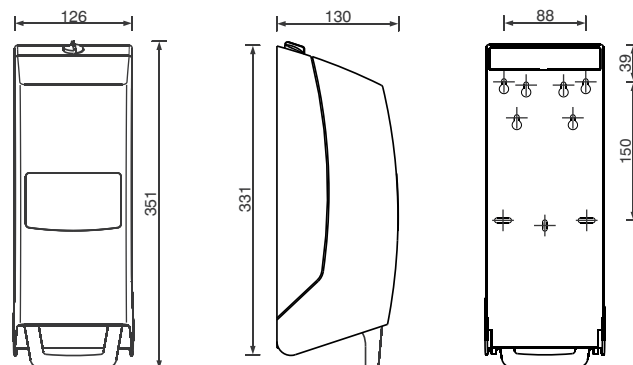
### Properties:

- dispenser made of high-impact plastic, white/grey
- easy to use and refill
- strong, durable construction
- available in a locking version
- adjustable dispensing size
- absolutely hygienic system (no contact between product and dispenser)



### Measurements:

Width: approx. 126 mm  
Height: approx. 331 mm without lever  
Height: approx. 351 mm with lever  
Depth: approx. 130 mm



Subject to change without prior notice. Measurements in mm.

## VARIOMAT M



### Measurements:

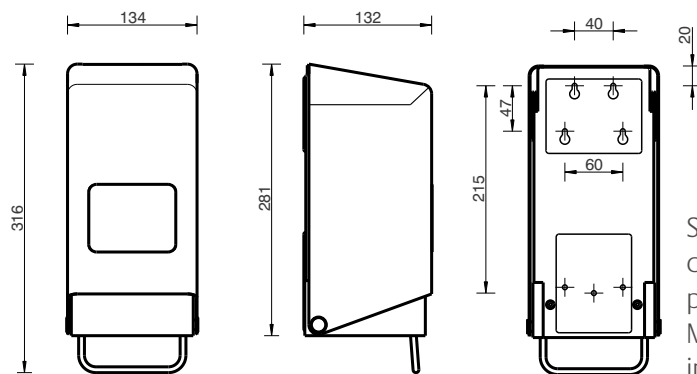
Width: approx. 134 mm  
 Height: approx. 281 mm without lever  
 Height: approx. 316 mm with lever  
 Depth: approx. 128 mm

### Application Area:

Universal dispenser for all skin protection, skin cleansing and skin care products as well as for disinfectants in PGP's 1.000- or 2.000-ml-collapsible-bottles.

### Properties:

- durable metal construction, white-coated casing
- easy to use and refill
- durable construction
- ideal dispensing size
- available in a locking version
- absolutely hygienic system (no contact between product and dispenser)



Subject to change without prior notice. Measurements in mm.



### Measurements:

Width: approx. 134 mm  
 Height: approx. 281 mm without lever  
 Height: approx. 316 mm with lever  
 Depth: approx. 128 mm

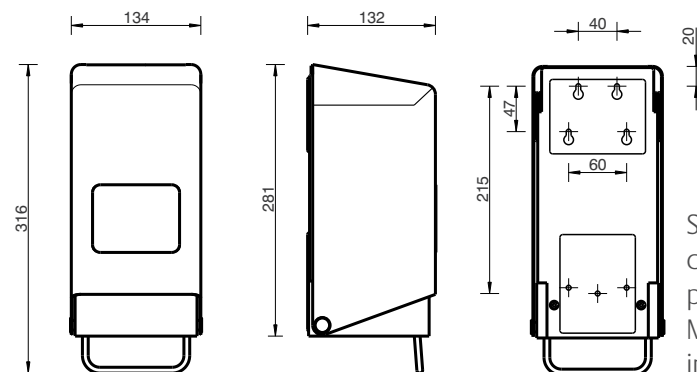
## VARIOMAT M Stainless Steel

### Application Area:

Universal dispenser for all skin protection, skin cleansing and skin care products as well as for disinfectants in PGP's 1.000- or 2.000-ml-collapsible-bottles.

### Properties:

- metal dispenser, casing made of stainless steel
- easy to use and refill
- durable construction
- ideal dispensing size
- available in a locking version
- absolutely hygienic system (no contact between product and dispenser)



Subject to change without prior notice. Measurements in mm.

# THE ATTRACTIVE “ALLROUNDER”

## Versatile Universal Dispenser for Every Need



Diversity is trump in small and middle-sized companies. Aesthetic factors are an important aspect - especially in public washrooms and in areas that are open for customers. NEPTUNE combines form and function in an innovative dispensing system that has especially been developed for administration, middle-sized industrial companies and public areas. Its appealing design, the capacity of 1 liter and various options make this dispenser the optimal solution for numerous application areas.

The NEPTUNE dispenser system is characterized by universal application possibilities: it is suitable for creams and lotions as well as for gels, liquids and foam products. Due to a clean-tip-technology, the valve's tip is cleaned automatically after every application; dripping is minimized and even drip-free. NEPTUNE dispensers are optionally lockable and are available in an automatic-touch-free version as well. Its smooth and compact form makes it ideal for shower rooms.



## NEPTUNE at a Glance

- appealing design
- ideal for administration, middle-sized industrial companies and public areas
- stronger stainless steel version and automatic, touch-free versions available
- available in locking version
- capacity: 1 liter
- universal dispenser for creams, lotions, gels, liquids and foam products
- clean-tip-technology minimizes dripping and maximizes hygiene
- mounting back-plate for easy removal
- low cost, low maintenance and long lasting construction
- absolutely hygienic system (no contact between product and dispenser)
- collapsible bottle empties completely and reduces waste
- large sight window to easily see when the dispenser needs to be refilled



The NEPTUNE dispensing system is designed to offer complete flexibility as well as simplicity. NEPTUNE is low maintenance and easy to refill for maintenance workers, while being simple and easy to dispense for users.

### 5-in-1-Technology

Versatility is the universal dispenser's highlight. It dispenses creams, lotions and gels as well as liquids and foam products. NEPTUNE is the frontrunner among dispenser systems. The dispensers are suitable for all kinds of products: Skin protection, skin cleansing and skin care products as well as for disinfectants.

### Ease of Installation

NEPTUNE can be mounted with either screws or double-sided tape. By using a mounting back-plate, the dispenser can be easily taken down for cleaning or other service.

### Comprehensive Options

The NEPTUNE product range includes dispensers with different options and meets or exceeds all needs.

- made of high-impact plastic in black or white
- available in a locking version
- touch-free dispensing technology
- drip tray (e. g. for liquid disinfectants)
- stonger stainless steel version available

### Easy Refill

The large sight window to easily see when the dispenser needs to be refilled reduces the labor of having to open each dispenser. NEPTUNE is low maintenance and easy to refill for maintenance workers, while being simple and easy to dispense for users. The valve never wears out as there is a new valve with every refill bottle, resulting in trouble-free dispensing.

### Uncompromising Functionality

- ideal dispensing size
- empties completely
- maximum hygiene (no contact between product and dispenser)





## NEPTUNE STANDARD

### Application Area:

Universal dispenser suitable for all product types: skin protection, skin cleansing and skin care products as well as disinfectants in PGP's 1-L-Neptune-bottles.

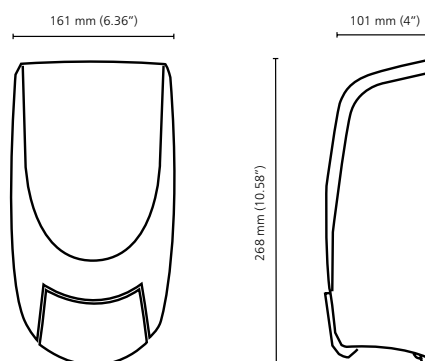
### Properties:

- dispenser made of high-impact plastic
- available in black or white
- easy to use and refill
- absolutely hygienic system (no contact between product and dispenser)
- durable construction
- ideal dispensing size
- empties completely
- available in locking version
- drip tray available on request



### Measurements:

Width: approx. 161 mm  
Height: approx. 268 mm  
Depth: approx. 101 mm



Subject to change without prior notice. Measurements in mm.



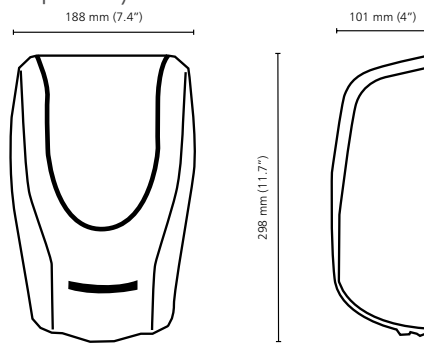
## NEPTUNE TOUCHLESS

### Application Area:

Universal dispenser suitable for all product types: skin protection, skin cleansing and skin care products as well as disinfectants in PGP's 1-L-Neptune-bottles.

### Properties:

- dispenser made of high-impact plastic
- available in black or white
- *touch-free* dispensing
- absolutely hygienic system (no contact between product and dispenser)
- durable construction
- ideal dispensing size
- empties completely
- available in locking version
- drip tray available on request



Subject to change without prior notice. Measurements in mm.

### Measurements:

Width: approx. 188 mm  
Height: approx. 298 mm  
Depth: approx. 101 mm

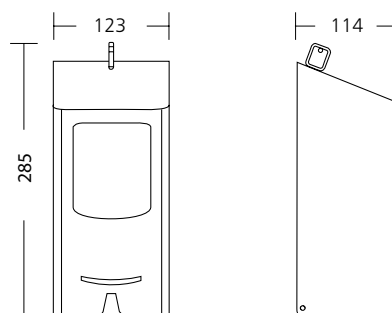
## NEPTUNE STAINLESS STEEL

### Application Area:

Universal dispenser suitable for all product types: skin protection, skin cleansing and skin care products as well as disinfectants in PGP's 1-L-Neptune-bottles.

### Properties:

- durable stainless steel construction
- *touch-free* dispensing
- absolutely hygienic system (no contact between product and dispenser)
- durable construction
- ideal dispensing size
- empties completely
- available in locking version
- drip tray available on request



Subject to change without prior notice. Measurements in mm.

### Measurements:

Width: approx. 123 mm  
Height: approx. 285 mm  
Depth: approx. 114 mm

# THE FLEXIBLE EVERGREEN

## Dosage-Pro for Special Requirements



The proven EUROMAT dispensers are available with a long lever, and are ideal for dispensing disinfectants. Users are able to operate the dispenser with their elbow and do not need to touch it with their hands. Moreover, the EUROMAT dispensers offer the flexible adjustment of the amount dispensed: For every application, the exact amount needed for this specific application is dispensed. Therefore, EUROMAT dispensers do not only ensure the economic operation, but especially the optimal efficiency and compatibility of the products dispensed.

Their strengths make EUROMAT dispensers the ideal choice for kitchens, canteens and food processing businesses. They are also suitable for medical practices, hospitals and clinics – for patients as well as for staff.

EUROMAT dispensers are very strong because of their stainless steel construction. The low-wear valve is also made of stainless steel.

## EUROMAT at a Glance

- one of the most popular dispenser systems
- established solution, especially for disinfectants
- long lever enables operation with elbow
- ideally suitable for food processing businesses, kitchens and canteens as well as for medical practices and clinics
- durable stainless steel casing and valve
- adjustable dispensing size
- mounting back-plate for easy removal
- suitable for 500- and 1.000-ml-hard-bottles
- empty bottle included

## EUROMAT 500



### Measurements:

Width: approx. 80 mm

#### Short Lever:

Height: approx. 253 mm without lever  
approx. 287 mm incl. lever

Depth: approx. 85 mm without lever  
approx. 151 mm incl. lever

#### Long Lever:

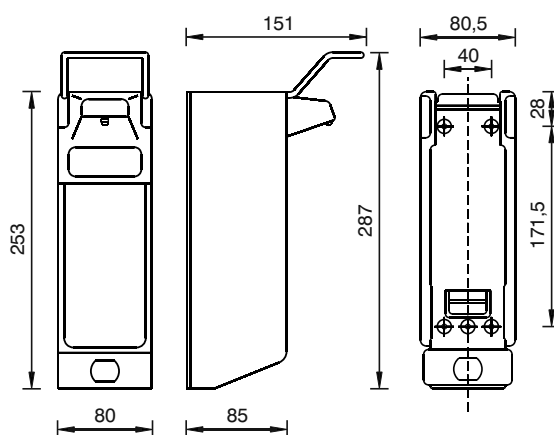
Height: approx. 298 mm incl. lever  
Depth: approx. 220 mm incl. lever

### Application Area:

Ideal for all liquid products without scrubbing agents in PGP's 500-ml-hard-bottles.

### Properties:

- casing made of matt, anodized aluminium
- durable stainless steel valve
- adjustable dispensing size
- incl. empty 500-ml-hard-bottle
- closing front plate is optional



Subject to change without prior notice. Measurements in mm.

## EUROMAT 1000



### Measurements:

Width: approx. 94 mm

#### Short Lever:

Height: approx. 290 mm without lever  
approx. 324 mm incl. lever

Depth: approx. 94 mm without lever  
approx. 151 mm incl. lever

#### Long Lever:

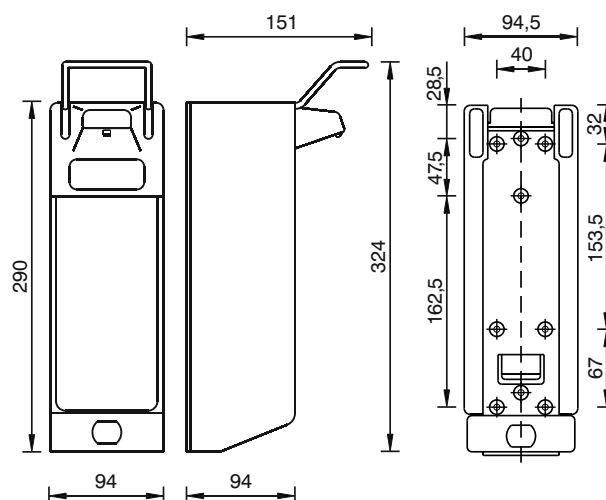
Depth: approx. 225 mm incl. lever

### Application Area:

Suitable for all flowable products without scrubbing agents in PGP's 1.000-ml-hard-bottles.

### Properties:

- casing made of matt, anodized aluminium
- durable stainless steel valve
- adjustable dispensing size
- incl. empty 1.000-ml-hard-bottle
- closing front plate is optional



Subject to change without prior notice. Measurements in mm.

**Peter Greven Physioderm GmbH**  
Procter-&-Gamble-Straße 26  
D-53881 Euskirchen

Phone: +49 (0)2251 77617-0  
Fax: +49 (0)2251 77617-44  
info@pgp-hautschutz.de  
www.pgp-skincare.com

