

VARIOMAT M STAINLESS STEEL

Metal Dispenser for 1000 ml and 2000 ml Collapsible Bottles



Description

- dispenser made of metal, casing made of satin stainless steel
- very simple handling and filling
- sturdy design
- optimal dosage
- completely hygienic system as there is no contact between product and dispenser
- lockable version available

Application

Universal dispenser suitable for all skin-protection, skin-cleansing and skin-care products as well as disinfectants in PGP's 1.000 ml and 2.000 ml collapsible bottles.

Dimensions

width: approx. 134 mm, height: approx. 281 mm without lever,
height: approx. 316 mm including lever, depth: approx. 128 mm

Packaging

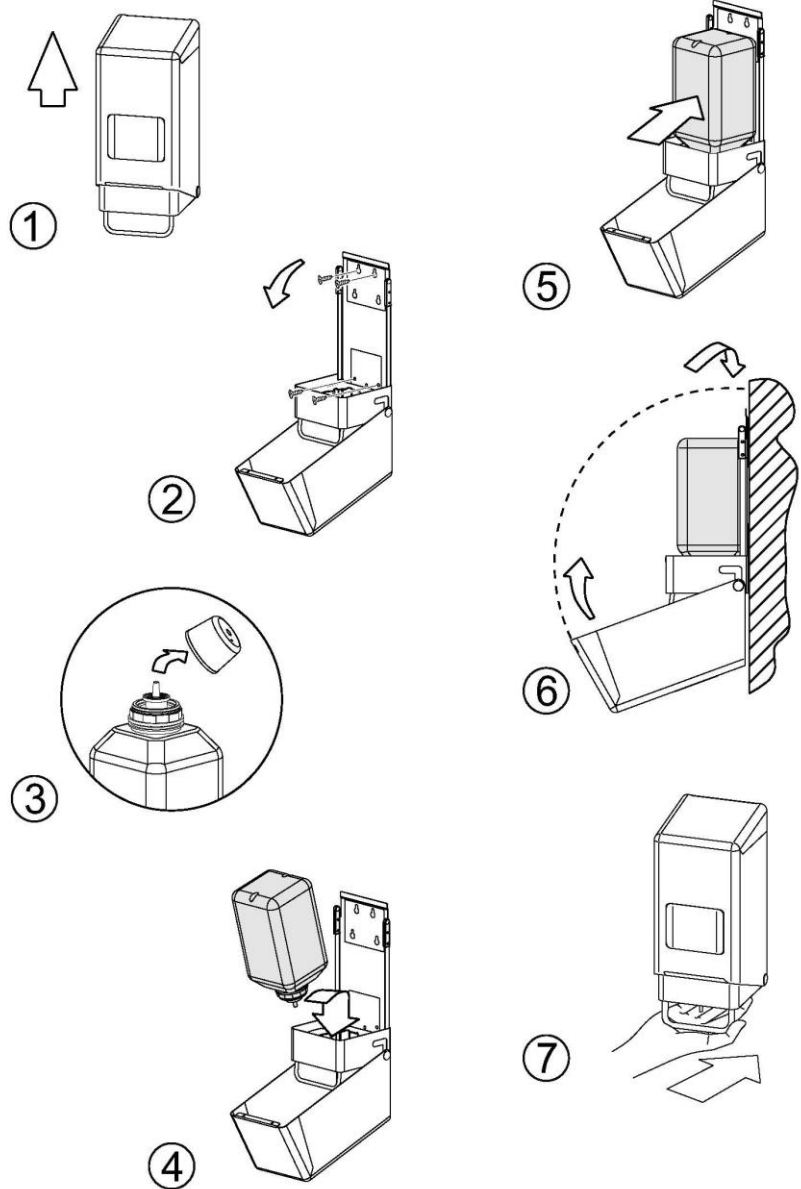
The dispenser VARIOMAT M STAINLESS STEEL is available as single unit in a cardboard box, incl. wall mounting material.

Ordering data

BSW No. 12938013 VARIOMAT M SATIN-STAINLESS-STEEL
DISPENSER

Product Information

Mounting and filling



subject to modifications